

Micro Speaker

Model: OSR15R-7.5A0.3W8A-P



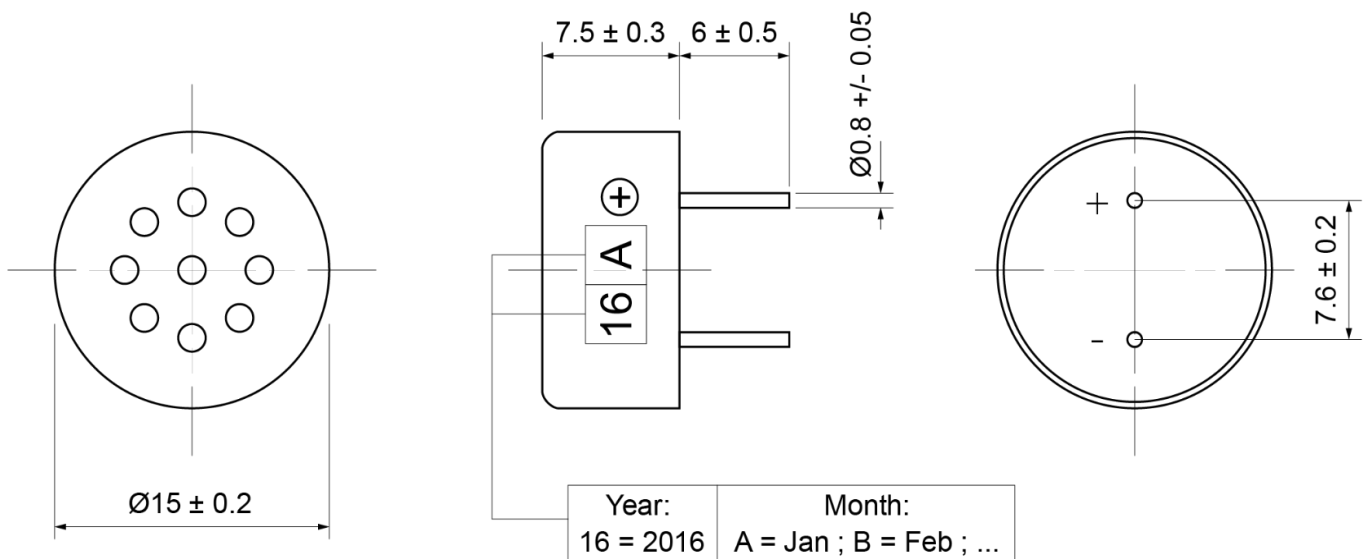
ELECTRICAL SPECIFICATIONS

	Condition	Parameter	Unit
Sound Pressure Level	at 0.3W, 10cm [at 2.0, 2.5, 3.0, 4.0 KHz]	90 ± 3	dB
Impedance	at 1V, 2KHz	8 ± 15%	Ω
Rated Input Power		0.3	W
Max Input Power		0.5	W
Resonant Frequency (Fo)	at 1V	2000 ± 20%	Hz
Frequency Range		Fo ~ 20000	Hz
Buzzer & Rattles	not be audible at sine wave between Fo ~ 5KHz	1.55	V
Operating Temperature		-20 ~ 60	°C
Magnet		Nd-Fe-B	
Frame Material		PBT	
Cone Material		Mylar (PET)	
Weight		2	g

MECHANICAL DRAWING

Dimensions in mm

Tolerance ±0.5mm Except Specified



Micro Speaker

Model: OSR15R-7.5A0.3W8A-P

FREQUENCY RESPONSE CURVE

